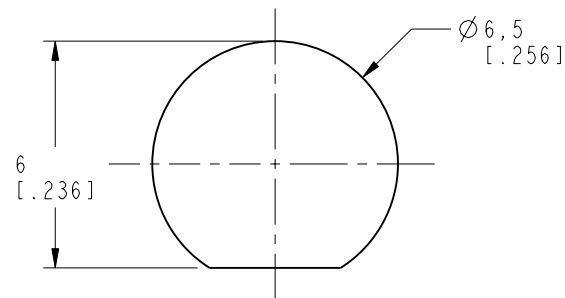
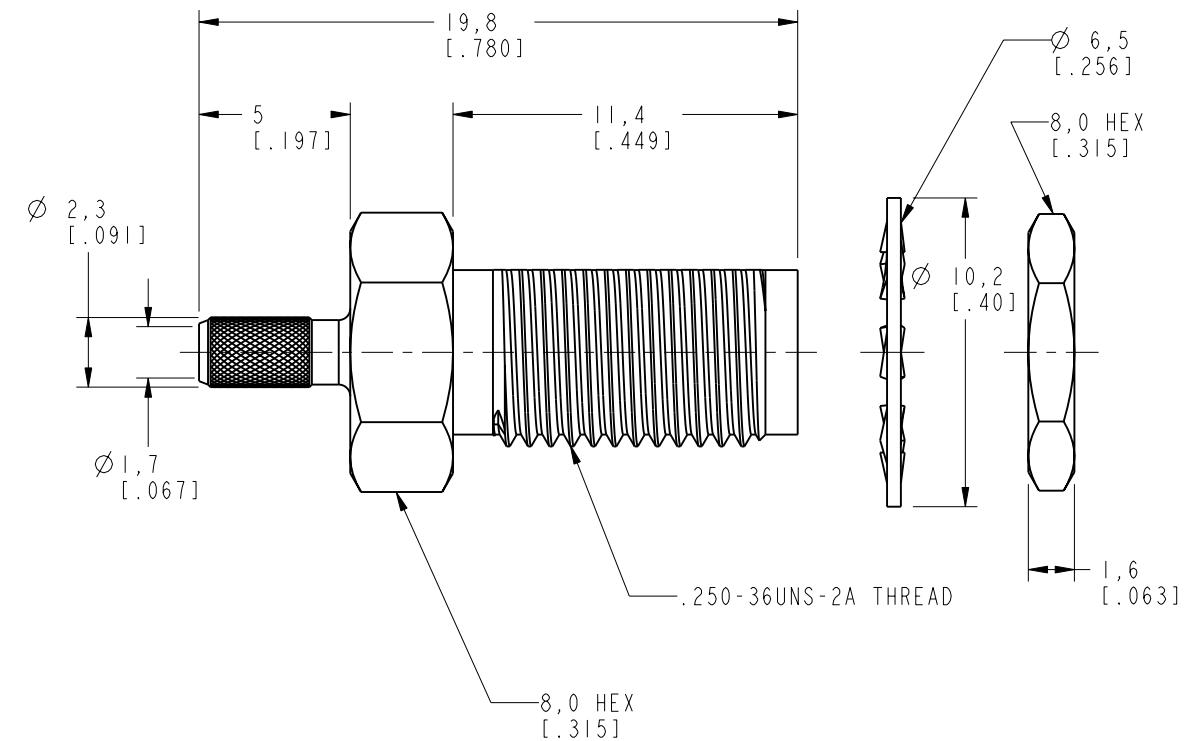
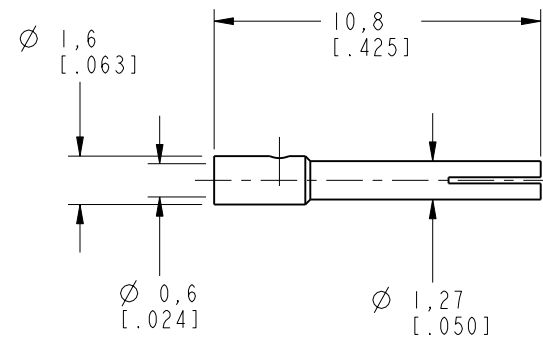
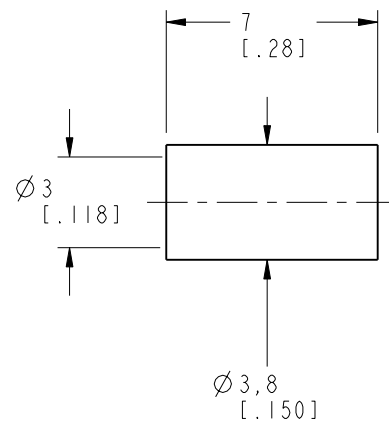
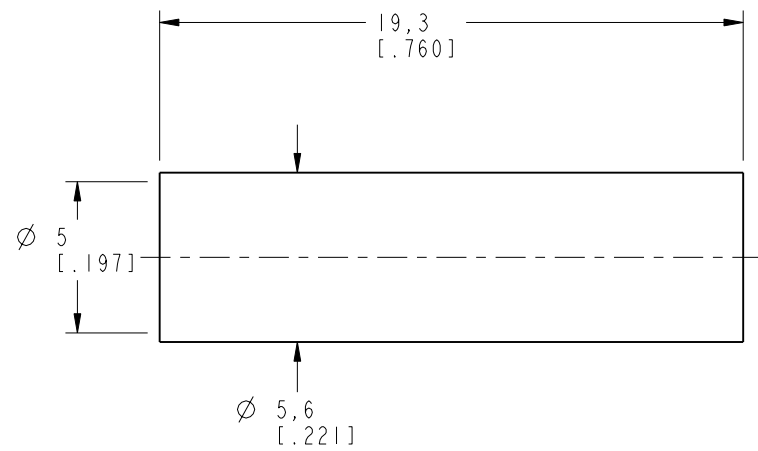
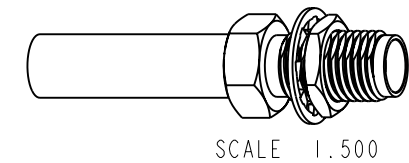


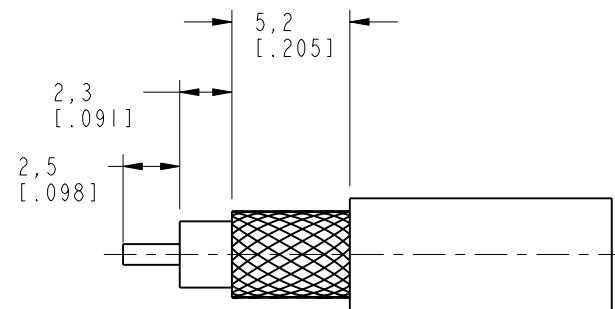
NOTES:

- MATERIALS OF CONSTRUCTION:
 BODY & HEX NUT = BRASS (ASTM-B16 HO2, C36000), GOLD PLATED (.000003 MIN THICK)
 CONTACT PIN = BeCu (QQ-C-530), GOLD PLATED (.000050 MIN THICK)
 LOCKWASHER = BRASS (QQ-B-613), GOLD PLATED (.000003 MIN THICK)
 FERRULE = COPPER, GOLD PLATED (.000003 MIN THICK)
 INSULATOR = PTFE, ASTM D 1710 OR EQUIV.
 HEAT SHRINK TUBING = COLOR BLACK

901-9875		REVISIONS			
DRAWING NO.	REV	DESCRIPTION	DATE	ECO	APPR
THIRD ANGLE PROJ.	A	RELEASE TO MFG.	4/7/95	40352	PB/RV
	C	SEE SHEET 1	10/2/02	44222	CPM



RECOMMENDED MOUNTING HOLE DIMENSIONS
SCALE 5.000



RECOMMENDED CABLE STRIPPING DIMENSIONS
SCALE 3.000

CUSTOMER OUTLINE DRAWING
ALL OTHER SHEETS ARE FOR INTERNAL USE ONLY

UNLESS OTHERWISE SPECIFIED, DIMENSIONS ARE IN INCHES AND TOLERANCES ARE: 0.5 - 6mm ±0.2mm 6 - 30mm ±0.4mm 30 - 120mm ±0.6mm	MATERIAL	DRAWN C. McGRATH	DATE 10/1/02	TITLE SMA BULKHEAD CRIMP JACK (FOR RG-174/U, 188A/U, 316/U CABLES)	Amphenol Amphenol Corporation Communication and Network Products Division Danbury, CT U.S.A. 06810			
	REFERENCE GEN# 901-10039-RFX_ASSY EAR 966280-3 & 111-964413	ENGINEER O. BARTHELME	DATE 10/1/02	APPROVED O. BARTHELME		DATE 10/2/02		
NOTICE - These drawings, specifications, or other data (1) are, and remain the property of Amphenol Corp. (2) must be returned upon request; and (3) are confidential and not to be disclosed to any person other than those to whom they are given by Amphenol Corp. The furnishing of these drawings, specifications, or other data by Amphenol Corp., or to any other person to anyone for any purpose is not to be regarded by implication or otherwise in any manner licensing, granting rights or permitting such holder or any other person to manufacture, use or sell any product, process or design, patented or otherwise, that may in any way be related to or disclosed by said drawings, specifications, or other data.		CAD FILE I:\SMA\901-9875	CODE ID 74868	DWG SIZE B	DRAWING NO. 901-9875	SCALE: 4.0:1	SHEET 2 OF 2	REV C